



Akva Sound – sound system for waterbeds

Includes:

- Bottomplate with 1 (single) or 2 (dual) sound transformers
- base prepared for the amplifier
- 1 amplifier panel - 50 W/8 Ohm

Please read these instructions carefully before installing your new waterbed sound system.

Installation is to be carried out by the fitter from your Akva dealer. Otherwise using the system is at your own risk and Akva Waterbeds cannot accept liability.

Also, please consider that electrical appliances in a waterbed may be in contact with water in the unlikely event of a leak. Akva Waterbeds does not assume liability for resulting damage.

We wish you lots of fun and pleasure with your new sound system.

Your Akva-Team, Denmark

Akva Sound – sound system for waterbeds

Installation and operation

Congratulations on your choice of an Akva sound system. With this system your waterbed will bring you even more joy and pleasure.

We wish you lots of fun and relaxation enjoying music, language, home cinema, snoezelen...

Please, follow these instructions and the system will be easy to operate.

Installation

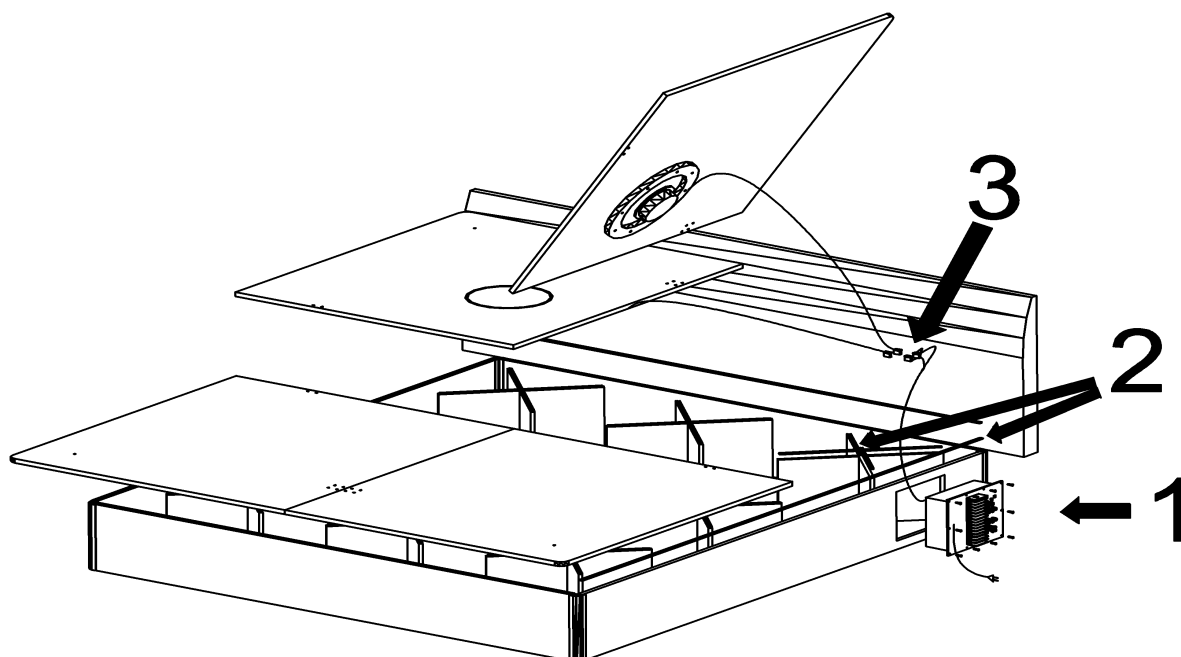
1. Mount the base first. The side with the opening for the amplifier can be placed on the left or right hand side of the bed depending on the side from which the system is to be operated.

Provide the surfaces facing the bottomplate with rubber tape. It will help fix the bottomplate.

2. The vibrators are already integrated in the bottomplate and ready for use. The bottomplate with sound system is to be placed at the headend and the connection cable to be lead to the hole on the base side.
3. Connect the cable from the vibrators with the cable from the amplifier and screw the amplifier module into the opening. Connect the amplifier module to the power supply network.

Before the rest of the waterbed is mounted, check whether the sound system is properly installed and works.

Mount the rest of the waterbed according to the manual. Please be careful that the heating element does not cover the sound system in the bottomplate.



How to connect to the sound source

Connect the cinch connection (Line in) with the audio output of your Hifi or TV set. Also, DVD and CD Player can be connected directly. As the amplifier has a Line out (audio exit), you can connect to an active speaker and avoid the use of other appliances.

Plug in the amplifier. When the system is used on a regular basis, you can also choose the Standby mode at the on/off switch. The amplifier will then automatically start when the sound source is started.

Amplifier settings

Leave the phase regulator in the left position (0).

Independent of the volume on your sound source, you are now able to adjust the intensity of the vibrations.

The higher you set the volume on the amplifier, the more oscillations you will feel. It is up to you how intense your sound experience will be. Depending on the music, sound effects and stabilisation of your mattress the settings are easily adjusted. We recommend a moderate setting for the long term use, as too many vibrations can be strenuous instead of relaxing.



The frequency of oscillations can be adjusted with the separating frequency control (Crossover). In order to obtain the maximum transfer level, the regulator should be set as high as possible (180Hz). For instance, this is necessary for quiet relaxation music with no bass or deep bass tones. If you only want the high bass to be transferred, the regulator should be set lower. Try to experiment with the different settings to find the one most suitable for you to relax. In general, a high frequency level is preferred for listening to music whereas a lower level is more suitable for watching a movie.



Technical data of the amplifier

Output power:	1 x 50 W, 4 Ohm / 1 x 50 W, 8 Ohm
Input impedance:	20 kOhm
Power consumption:	320 W max.
Switch-off delay:	20 min
S/N Ratio:	76 dB
Separating frequency:	40 - 160 Hz
Measurements:	(W x H x D) 210 x 270 x 135 mm

- Cinch connections
- Frequency and intensity adjustment
- Phase switch
- Automatic on/off function
- Short circuit protection

Technical data of the sound transformers:

Normal load:	25 W / 50 W
Music load:	50 W / 100 W
Impedance:	4 Ohm